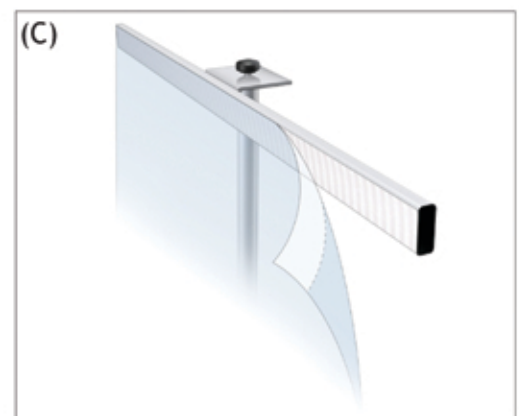
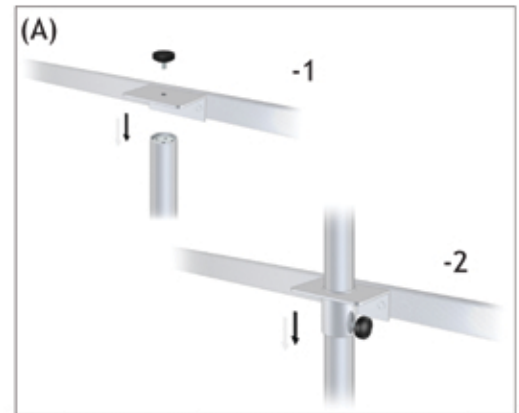
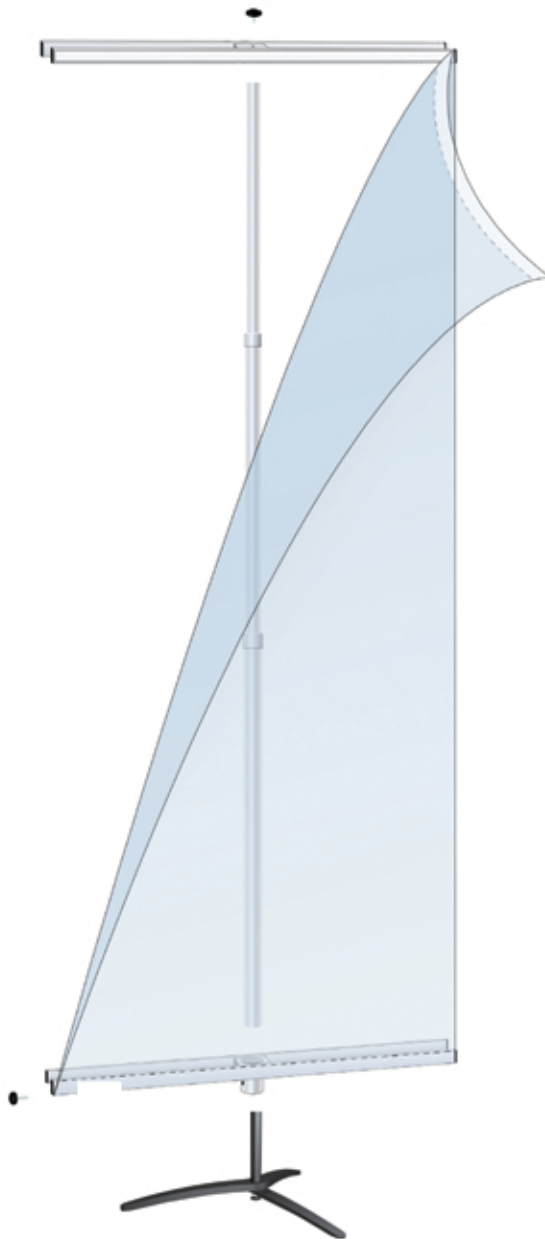


Horizon Banner Stand

1. Screw top holder onto pole using knob (fig. A-1).
2. Slide bottom holder onto large diameter pole and secure with knob (fig. B).
3. Screw pole onto base using flathead screw (fig. B).
4. Attach banner using Velcro hook and loop (fig. C).
5. Raise to desired height.



Graphic Size

- Ultra Banner Stand 24: 24" wide and 36" to 96" high
- Ultra Banner Stand 36: 36" wide and 36" to 96" high
- Ultra Banner Stand Double Sided 24: 24" wide and 36" to 96" high
- Ultra Banner Stand Double Sided 36: 36" wide and 36" to 96" high