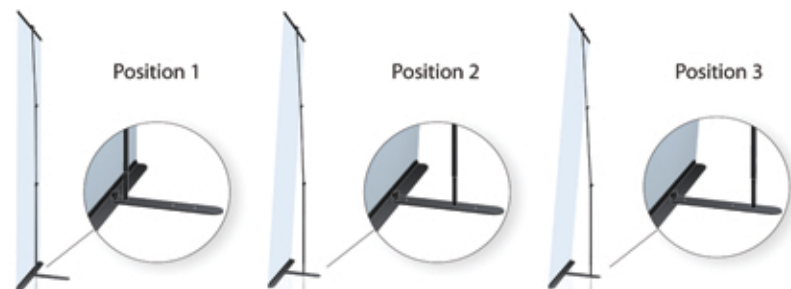
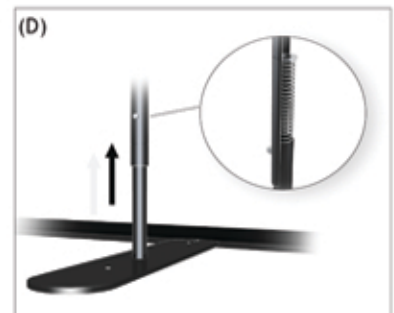
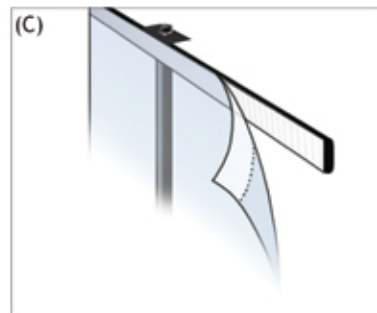
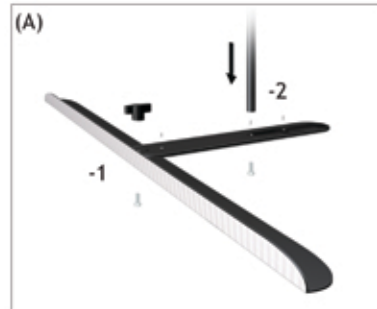
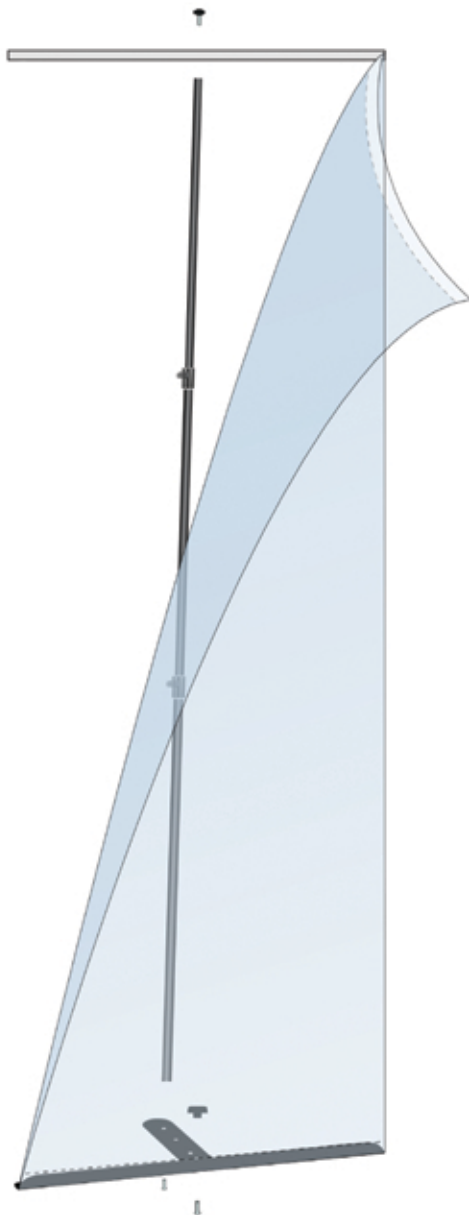


# Ultra Banner Stand (Single Base)

1. Insert rounded screw into square hole to lock bottom crossbar (fig.A-1).
2. Determine pole position (see positions 1, 2 & 3) and screw pole onto base using flathead screw (fig. A-2).
3. Attach top crossbar onto pole using rounded knob (fig. B).
4. Attach banner to top and bottom crossbars (fig. C).
5. Open poles to desired height and lock with spring extension at bottom closed.
6. Release spring button at bottom of pole to make banner really taut (fig. D).



## Graphic Size

- Ultra Banner Stand 24: 24" wide and 36" to 96" high
- Ultra Banner Stand 36: 36" wide and 36" to 96" high
- Ultra Banner Stand Double Sided 24: 24" wide and 36" to 96" high
- Ultra Banner Stand Double Sided 36: 36" wide and 36" to 96" high