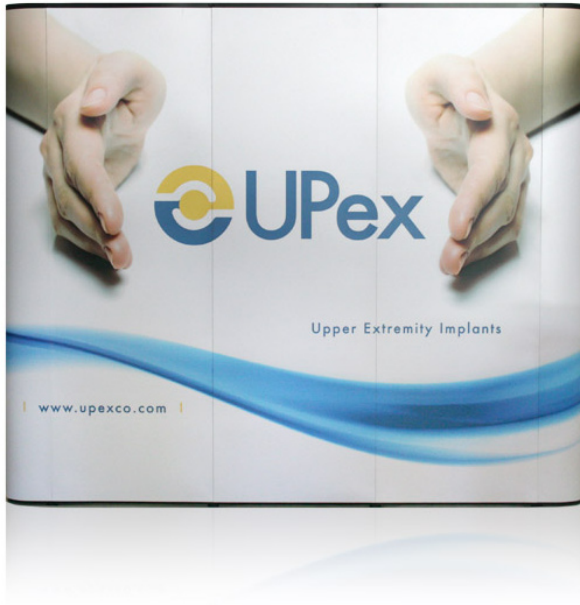
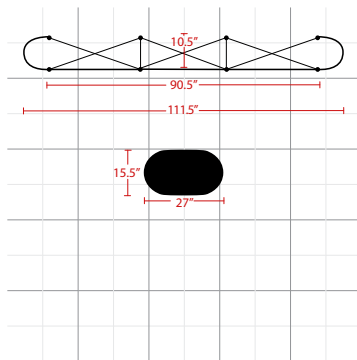


## Graphic Package



\*Podium graphic is additional \$50.



The box represents 10'x10' booth.

### Product Features

All packages include:

- (1) Extruded Aluminum Frame (92" x 91")
- (18) Vertical channel Bars
- (6) Horizontal channel bars
- (2) 150 Watt Halogen Lights
- (2) Graphic End Panels
- (3) Center Panels
- (1) Podium Case to Counter Conversion Kit

Display Size	9'W x 7.4'H x 1'D
Podium Case	38.5"H x 27.5"W x 15.75"D

### Graphic Finishing

Magnetic strips all around and hanging hardware on top and bottom

Material	12 Mil Titanium Blockout Film 10 Mil Polycarbonate Overlaminate
----------	--

### Construction

Frame	Aluminum frame
Panels	Laminated panels w/magnetic strips
Bars	Aluminum channel bars w/ magnetic strips
Podium Case	(1) Case — Black heavy duty blow molding technology construction (2) Reliable built-in wheels (2) Easy grip molded handles (top and side) for easy maneuvering (4) Lockable turning latches

### Weights - Dimensions

Shipping Weight	82 lbs
Shipping Dimensions	40" x 28" x 18"

### Parts List

(6) Horizontal channel bars	(2) 150watt halogen lights
(1) Aluminum frame w/bag	(1) Podium wrap
(14) Silver channel bars	(1) Lid fabric
(4) Black channel bars	(1) Repair kit
(1) Podium case w/lid	(3) Graphic center panels
(1) Instruction sheet	(2) Graphic end panels
(1) Channel bar bag	

### Pricing

Graphic package	\$1025.00
-----------------	-----------

### Graphic Specification

Graphic Size: 140"W x 88.98"H

### Graphic Turnaround Time

Standard: 4 Business Days

2-Day Rush: 2 Business Days: Additional \$300